

## UWK Series Normally Open Solenoid Valve



● UWK-25

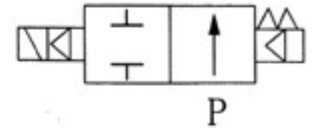


● UWK-20

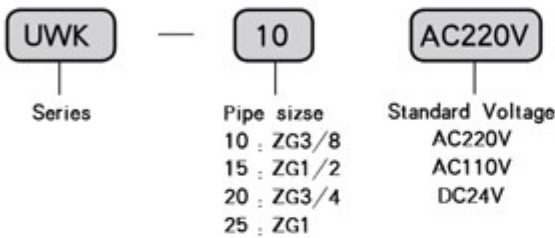


● UWK-15

■ Graphics Sign



● Ordering Code



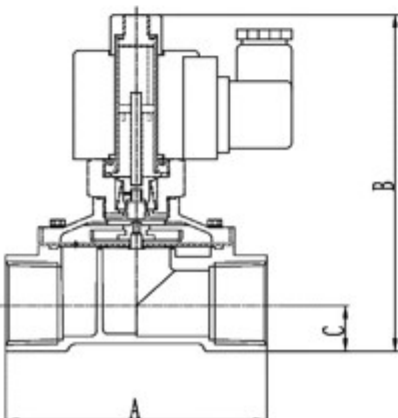
■ Character

This guiding type valve adopts the diaphragm seal structure, with zero differential pressure starting function, large flow, simple structure, easy maintenance, good waterproof performance directions and multiple wiring directions.

■ Technical Parameter

Item \ Specification	UWK-10	UWK-15	UWK-20	UWK-25
Material of Body	Cast copper			
Operating Method	Film Pilot			
Nominal Diameter(mm)	16	20	20	25
Applicable Medium	Air, Water, Oil(50CST Bellow)			
Pressure Range	0 ~ 0.8MPa			
Medium Temperature	-10 ~ 60°C (No Freeze)			
Specified Voltage	AC24V, AC36V, AC110V, AC220V, DC24V, DC110V			
Operating Voltage Range	±10%			
Min. Activating Time	0.05S			
Install Method	Horizontal Installation			

■ Figure Dimension



Specification	A	B	C	D	E	F
UWK-10	70	128	16	φ 46	57	ZG3/8
UWK-15	70	128	16	φ 46	57	ZG1/2
UWK-20	78	136	17	φ 46	57	ZG3/4
UWK-25	102	145	23	φ 46	73	ZG1